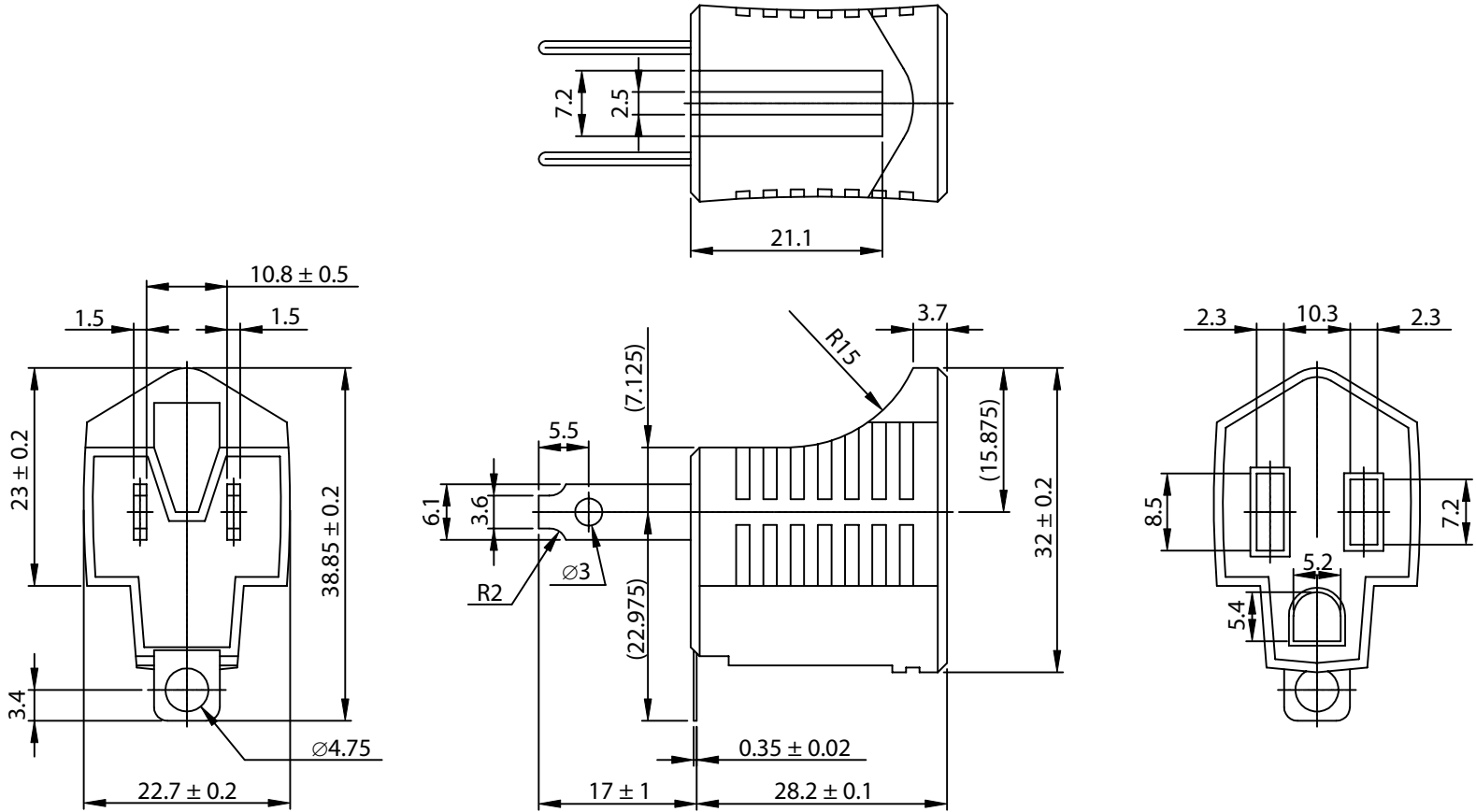


		Revision	
Rev.	Description	Date	Approved



Dim range (mm)	Tolerance +/- (mm)	Qualtek Electronics Corp. FAN-S DIVISION					
		Part Number: 738W-E-01 RoHS Compliant		Description:			
0-1	0.15						
1-6	0.20						
6-18	0.30						
18-50	0.50						
50-120	0.70				Drawn / Date	Checked / Date	Approved / Date
120-250	0.90				B. Grubb 08-16-06	8-16-06	JJH / 08-16-06
250-500	1.20						